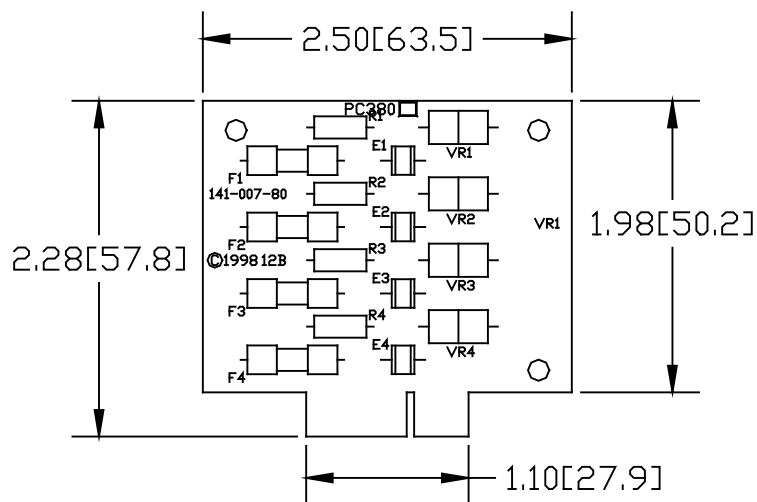
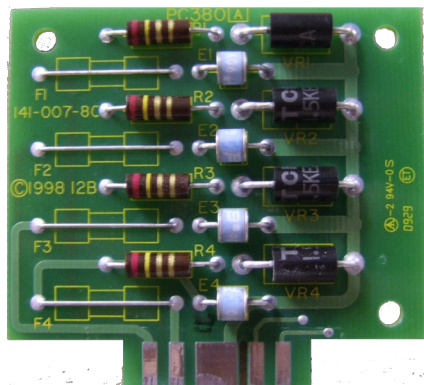


Data Line Protection

MODEL

DLM4 Protection Module



No. of wires protected:	4
Protection Circuit:	Hybrid
Ipk/Wire:	10kA (8x20 μ s)
Series R:	2.4 Ohms
Standard Voltages *:	6, 25, 60, 200
Response Time:	<1 nanosecond
Attenuation:	<1dB at 10MHz
Temperature (Operating):	-40° to +71° C (-40° to +160° F)
Temperature (Storage):	-40° to +85° C (-40° to +185° F)
Connection:	Plug in - card edge Style, p.c. board contacts
Dimensions:	2.50"L x 2.28"W x 0.310"D (63.5mm L x 57.8mm W x 7.9mm D)
Weight:	0.64 Oz., 18.14 g
Use with models:	DLP-37A, DLP-3131, DLP-3132, DLP-3140
End Product Certifications:	UL497B, UL497A (fused)

For Ordering use this Model Name Example: DLM4-25V2 where 25 is the module voltage and 2 is the series resistance.

For UL497A, add "F" at end of standard model name. For example: DLM4-25V2F

*For other voltages, contact factory at 1-800-851-1508