

MCG Surge Protection

120M and 160M Installation Instructions

Important Warranty Information

MCG surge protectors are designed to work at specific voltages and configurations, for example, at 120/208VAC, wye. Installation of the surge protector improperly on a power system will automatically void the warranty.

1. Confirm Power Service.

Measure Phase to Neutral, Phase to Ground, and Phase to Phase with voltmeter to confirm application voltage prior to installation. With Delta units, measure Phase to Ground and Phase to Phase with voltmeter to confirm application voltage prior to installation.

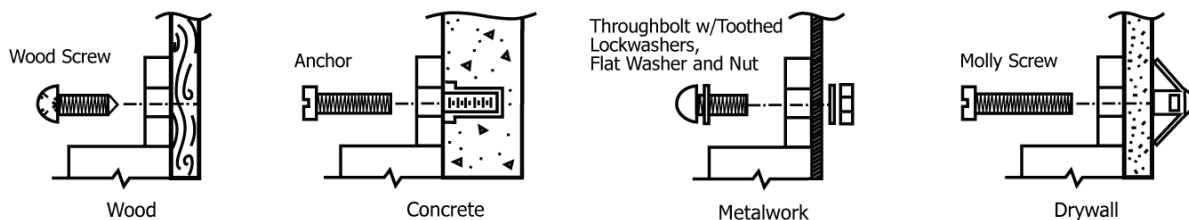
120M/160M	Power Service	Description	Wiring Figure
-120T	120/240VAC	1ph, 3W + Gnd	1
-120Y	120/208VAC	3ph, 4W + Gnd, Wye	2
-220Y	220/380VAC	3ph, 4W + Gnd, Wye	2
-240Y	240/415VAC	3ph, 4W + Gnd, Wye	2
-240D	240VAC	3ph, 3W + Gnd, Delta	4
-240DCT	240/120/120VAC	3ph, 4W + Gnd (DCT) hi-leg	3
-277Y	277/480VAC	3ph, 4W + Gnd, Wye	2
-480D	480VAC	3ph, 3W + Gnd	4

2. Disconnect Power Before Installation.

All wiring to be done in accordance with National Electric Code and local codes by qualified electricians.

3. Mounting.

For best performance, mount the protector as close to service panel as possible. Secure unit to mounting surface. Use proper fasteners as indicated. (Fasteners not supplied)



4. Wire To Service Panel.

For best performance, conductors should be tightly taped together and as short as possible for the entire run.

Circuit Breakers: A circuit breaker should be coordinated to protector wire size. The primary function of this breaker is to provide a means of removing power from the unit for maintenance. The circuit breakers will not trip during normal surge suppression since the response time of the circuit breaker is much longer than the duration of a transient voltage.

These protectors are suitable for use on a circuit capable of delivering not more than 100,000 rms symmetrical Amperes.*

Use 30A rms circuit breaker (UL489 Listed)

Recheck wiring prior to reapplying power.

This device features an internal protection that will disconnect the surge protective component at the end of its useful life but will maintain power to the load - now unprotected. If this situation is undesirable for the application, follow the manufacturer's instructions for replacing the device.

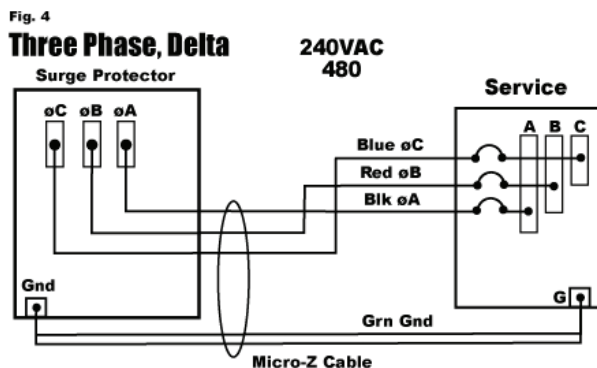
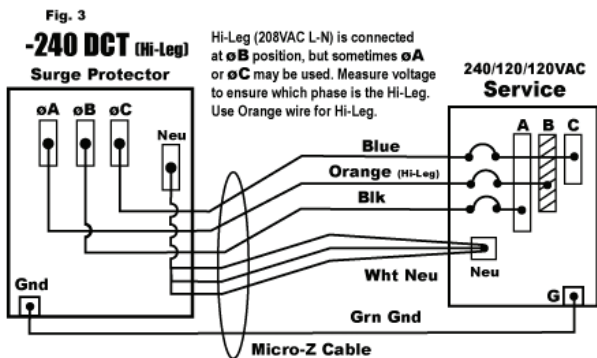
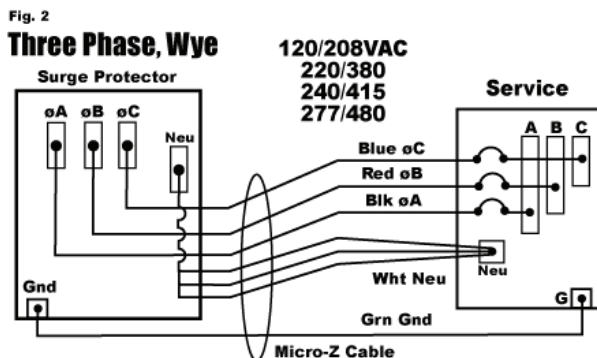
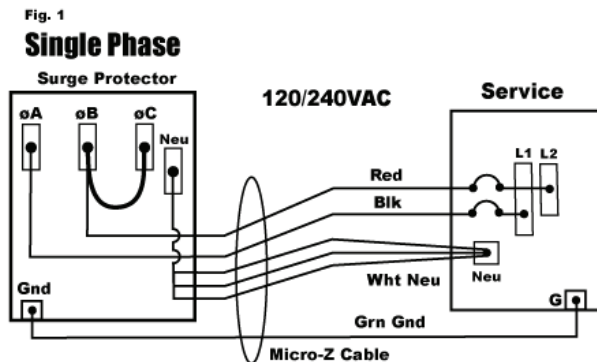
Cet appareil dispose d'une protection interne qui déconnectera l'élément de protection contre les surtensions à la fin de sa vie utile, mais maintiendra l'alimentation à la charge - sans protection. Si cette situation n'est pas souhaitable pour l'application, suivre les indications du fabricant pour remplacer cet appareil.

WARNING - Risk of Electric Shock:

Disconnect Power before servicing. Service to be performed by qualified personnel only.

AVERTISSEMENT - Risque de Choc Électrique:

Coupez l'Alimentation Électrique avant de faire l'entretien. L'entretien doit être effectué uniquement par un personnel qualifié.



*Note: "-240D" & "-480D" models- 5,000 rms symmetrical Amperes.

5. Diagnostics & Troubleshooting.

When the red “Protection Reduced” light is illuminated:

- Open door. **Caution:** High voltage present - Do not touch anything inside.
- *Ouvrir la porte. Attention: Présence de courant à haute tension - Ne rien toucher à l'intérieur.*
- Locate red lights indicating module(s) and fuses needing to be replaced.
- Remove AC power. Front panel lights will extinguish. For non-Delta models, remove thumb screws and pull on handle to remove disconnect.
- Replace appropriate modules and fuses. For non-Delta models, insert disconnect switch and reinstall thumbscrews.
- Close and secure door. Reapply power.
- Green light on, red light off, full protection restored.

Consult factory for assistance: 1-800-851-1508

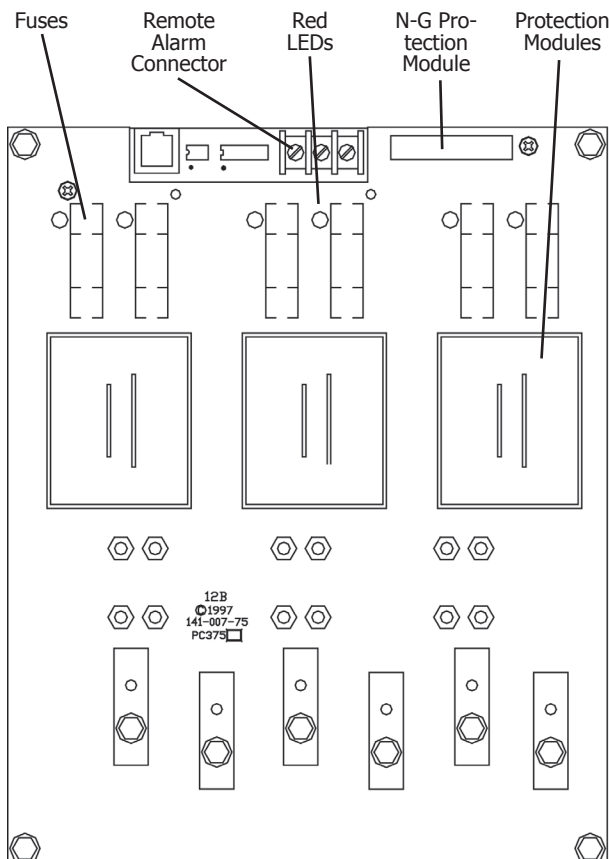
Audible Alarm

Audible Alarm is factory preset in the audible position. To disable alarm, move SW1 located on the front panel board. from “Audible” position to “Mute”.

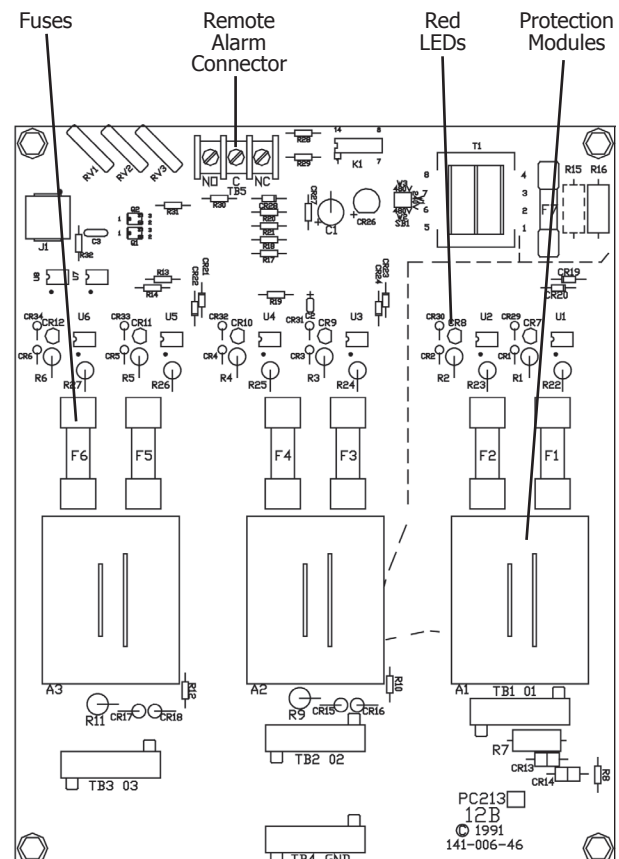
Counter Reset

To reset counter to 0 count, press SW2 switch marked “Reset” located on the front panel board.

Interior View: Models T, Y, DCT



Interior View: Delta Models



6. Remote Alarm Wiring Option

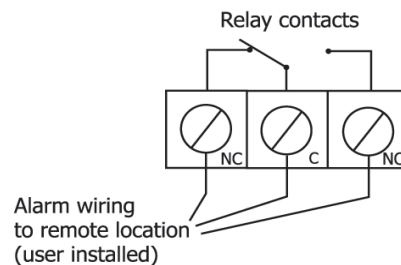
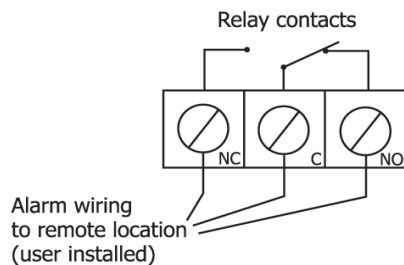
When desired, a 3-wire remote monitoring cable can be connected to the remote alarm relay connector located within the enclosure. The relay deactivates when any section of the surge suppression modules requires replacement or when power is removed from the suppressor. This can also be used as a power failure alarm.

Do not exceed alarm relay contact ratings: Maximum load 90mA.
Class 2 Wiring Only. 14-22 AWG. Recommended screw torque: 7 in-lbs.

Ne pas dépasser les cotes d'alarme du contact relais: Charge maximale de 90mA.

Câblage de Classe 2 seulement. 14-22 AWG. Couple de serrage recommandé: 0,8 J (7 in-lb)

Normal Operation (100% Protection) Reduced Protection (or Power Off)



7. Mounting Dimensions

